

22mm-32mm Camlock 1342



Product Description

A wide range of camlocks available in 3 housing lengths; 22mm, 27mm and 32mm. They can be used in various applications including Lockers and Metal and Wooden Office Furniture.

-
- **Standard movements:** 1, 2, 3, 4, 5, 6
- **Lock Combinations:** 200-2000
- **Standard finish:** Bright chrome, stainless steel cap
- **Fixing hole shape:** Double D
- M Keyed system supplied to order only
- **Note:** housing nut can only be fitted or removed if cam is removed first

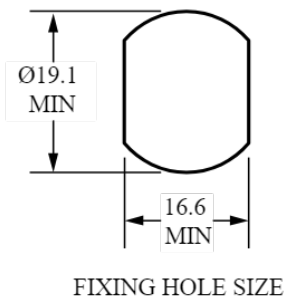
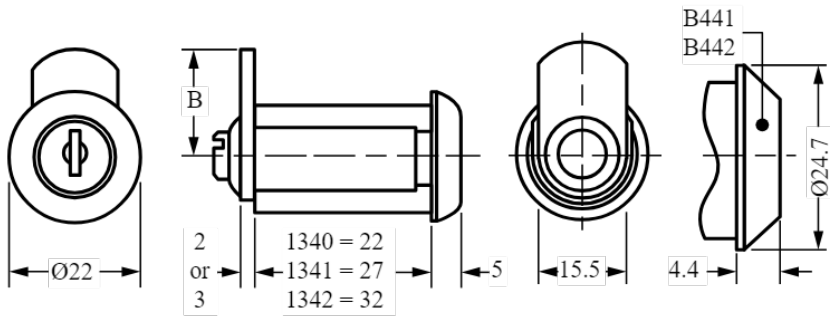
We recommend the use of Washer 7005201 when fitting to wooden panels:

- **Dimension 'B' Specification:** [See Cams](#)

Options

Product Code	Key Series	Combinations	Head Shape	Head Depth	Housing	Fixing	Cap	Finish	Body Length	Head Width
1340	92 M	200	Round	5	Nut	Fixing	Capped	Bright Chrome	22	22
1341	92 M	200	Round	5	Nut	Fixing	Capped	Bright Chrome	27	22
1342	92 M	200	Round	5	Nut	Fixing	Capped	Bright Chrome	32	22
1384	92 M	200	Round	5	Horseshoe	Clip	Capped	Bright Chrome	22	22
1385	92 M	200	Round	5	Horseshoe	Clip	Capped	Bright Chrome	27	22
1386	92 M	200	Round	5	Horseshoe	Clip	Capped	Bright Chrome	32	22
1440	95-97 M	2000	Round	5	Nut	Fixing	Capped	Bright Chrome	22	22
1441	95-97 M	2000	Round	5	Nut	Fixing	Capped	Bright Chrome	27	22
1484	95-97 M	2000	Round	5	Horseshoe	Clip	Capped	Bright Chrome	22	22
1485	95-97 M	2000	Round	5	Horseshoe	Clip	Capped	Bright Chrome	27	22
B441	92 M	200	Conical	4.4	Nut	Fixing	Capped	Bright Chrome	27	24.7
B442	92 M	200	Conical	4.4	Nut	Fixing	Capped	Bright Chrome	32	24.7

Technical Drawing



WASHER 7005201
WE RECOMMEND THIS
WHEN FITTING TO
WOODEN PANELS

THE LOCK IS
AVAILABLE WITH
3 HOUSING LENGTHS
AS SHOWN