

**MK730**

**DIGITAL  
COMBINATION  
LOCK**



# MK730

## Digital Combination Lock

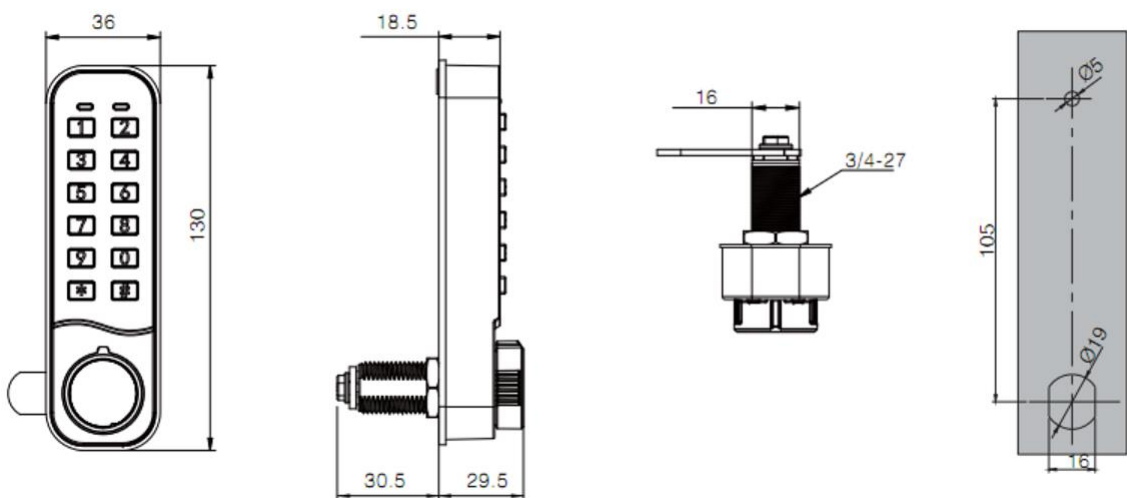


### FEATURES

Metal Lock  
 Horizontal & Vertical Models  
 Different Colour options (available upon request)  
 Easy to set / Change Code  
 Master Key for Emergency Opening

Switch between Private and Public mode easily  
 Easy to installation  
 Rector fit existing Punch Hole (19 x 16.1mm mechanical locks)  
 Meets IP55 rating

### TECHNICAL DRAWING



L = 20mm or 30mm

# MK731

## Digital Combination Lock

### Operator Instructions

---

The lock has a 10 button keypad , a \* button and a # button.

The lock has three code levels that allow you to perform the following actions:

- **Master code(8 digit code)**
- **Sub-master code(8 digit code)**
- **User code(4 digit code)**

#### Default Settings

**Master code = 20050330 (8 digit code)**

**User code =1111 (4 digit code)**

#### Private Mode

#### Functions

Before programming, select the most appropriate function for the application:

A) Private Mode

or

A) Public Mode

#### Private Mode

Note: this is the default function and is already pre-programmed into each lock. This is the most common mode and is used where the same code will be repeatedly used.

To set to Private Mode: \* -- Master code - -#--07--#

Example: \* - 20050330 - -#--07--#

Result: The lock will revert back to default Private Mode, factory set user code 1111 will now work until reprogrammed.

#### Public Mode

This function is used for short term, multi user applications. The code is only used one time

To set to Public Mode: \* -- Master code - -#--06--#

Result: the lock will now remain open until next user enters their own code into the lock as follow:

Step 1: enter new user code --Close the locker which will now be locked

Step 2: enter user code-- The lock will now remain open until next 4 digit code is entered

## Setup

New locks operate with the default user and master codes. A new user and master code must be programmed to prevent the default codes from operating the lock and reducing lock security.

### Master Code Functions:

#### 1) Open: Enter master code

(The user code will be deleted when using master code when the lock is in public mode)

#### 2) Programming Master Code

Press \*--current master code --#--01--#--- new master code - -#--new master code--#

Example: \*--20050330--#---12345678--#--12345678--#

Result: Master code has been changed to 12345678

#### 3) Set or change the sub-master Code

Press \*-- master code---#--04---new sub-master code---#

#### 4) Delete sub-master code

Press \*--Master code---#-05--#

#### 5) Set or change the User Code (Private Mode)

Press \* -- master code - -#- -02--- new user code - -#

Example: \*--20050330--#-02 --1234--#

Result: New user code 1234 now operative

#### 6) Delete User code(Private Mode)

Press \*--Master code--#--03-- #

#### 7)Set or change the Technician code (Public Mode)

Press\*--Master code--#--08--#--new technician code--#

Note: the technician code must be 6 digit code

#### 8)Delete the Technician code (Public Mode)

Press \*--Master code--#--09--#

#### 9)Activate/Deactivate the Auto-unlock Function (Public Mode)

Activate:Press \*--Master code--#--11--#

Deactivate: Press\*--Master code--#--12--#

#### 10)Set Auto-open time (Public Mode)

Press \*--Master code--#--10--#--XX--#

Example: Press\*--20050330#--10#-02#, the door unlock in 2 hours later

Note: until the door locked, the lock begins to count and unlock 2 two hours later and the “xx” is from 01 to 12

## Sub-Master Code Functions:

### 1) Open

Enter sub-master code

(The user code will be deleted when using sub-master code when the lock is in public mode)

### 2) Change the Sub-master Code

Press \*---current sub-master code --- # --- 04--#--new sub-master code -- #

### 3) Set/Change the User Code (Private Mode)

Press--\*--current sub-master code ---#---02--#-- new user code --- #

## User Code Function:

### Private Mode

•Open: Enter user code

### 2) Change the User Code

Press \*-- current user code --#--new user code---#

### Public Mode

•Set code: enter any 4 digit code

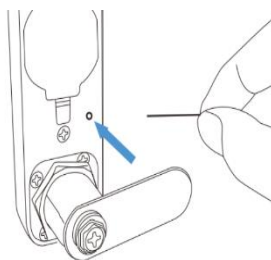
• Open: Enter user code

Note: The 4 digit code is one time valid only. The door keep open until another one set a new code

## Initialize

\* ---99--#-Press the reset button by a clip/pin from back hole

Lock [resets to](#) default settings



## Additional Functions

### Occupied Status Indicator (Public Mode) – deactivated by default

When activated the green light will flash every 6 seconds to indicate the locker is in use

Activate: Press \*--Master code--#--13--#

Deactivate: Press \*--Master code--#--14--#

### Password protection – deactivated by default

Entering incorrect codes 5 times will cause the lock to shutdown for 5 minutes

### Automatically locked in Private Mode

The PCB will be lock 4 seconds after being opened

### Emergency Opening

--Remove the cover plate with a magnet

--Master key for emergency opening.

The existing code will be retained by the lock when using the Master Key Over-ride



### Low power alarm Function

Alarm will sound if the battery power is low (5 beeps, red light flashes 3 times before blue light flashes once) informing users to replace the batteries.



## Qi LOCKS LIMITED

Unit 14  
Stephenson Court  
Priory Business Park  
Bedford  
MK44 3WJ



0330 311 1003



[sales@qilocks.com](mailto:sales@qilocks.com)



[www.qilocks.com](http://www.qilocks.com)



0330 311 1003



[www.qilocks.com](http://www.qilocks.com)